

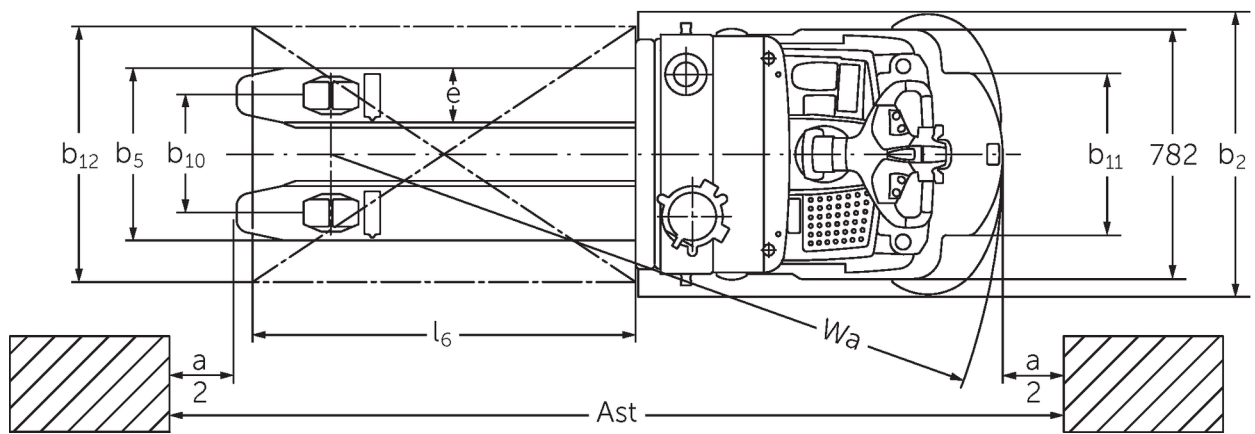
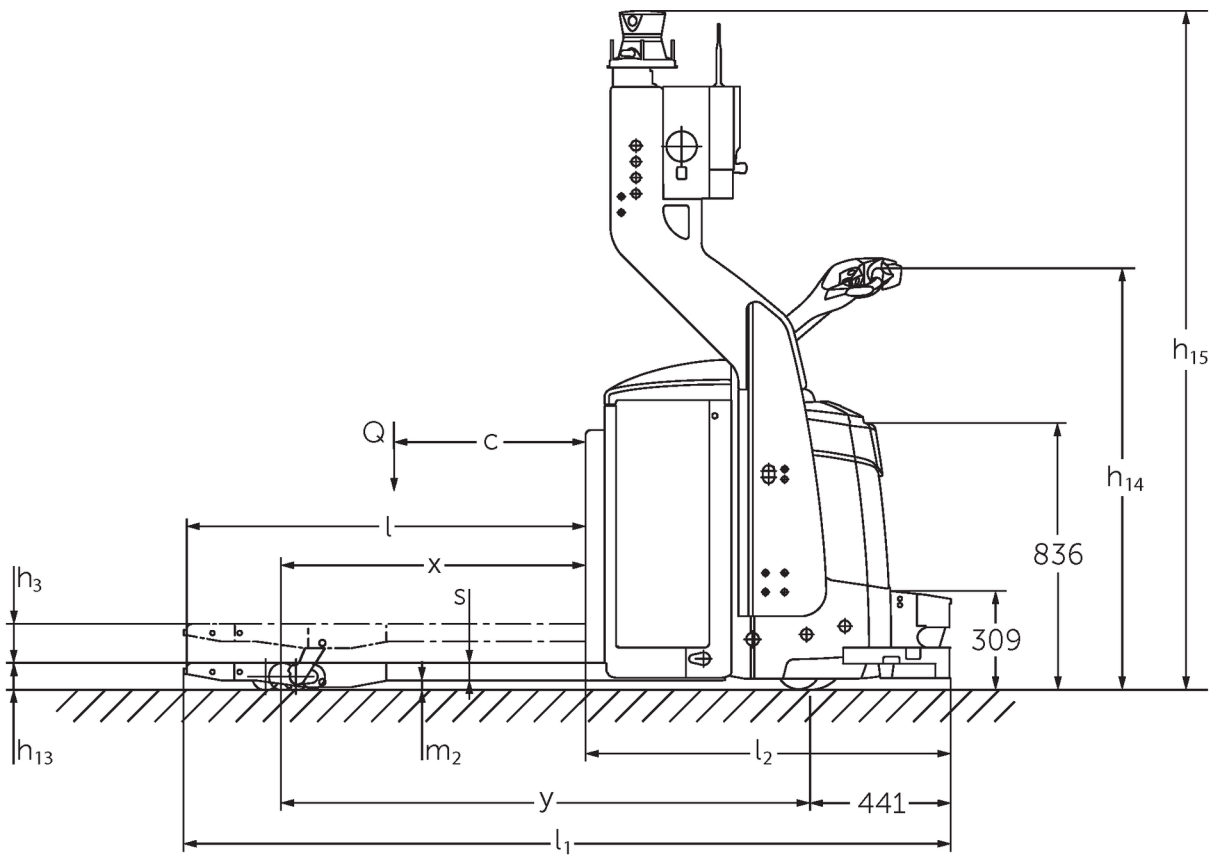


Automated Guided Vehicle System Pedestrian Pallet Truck

ERE 225a

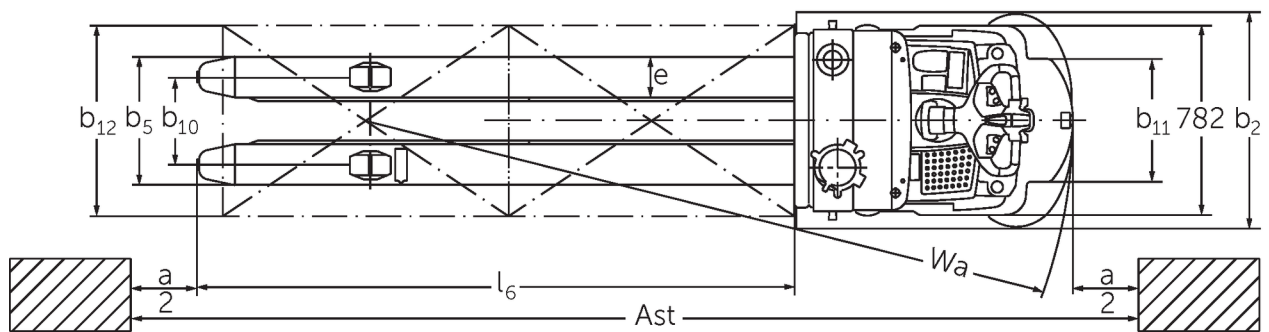
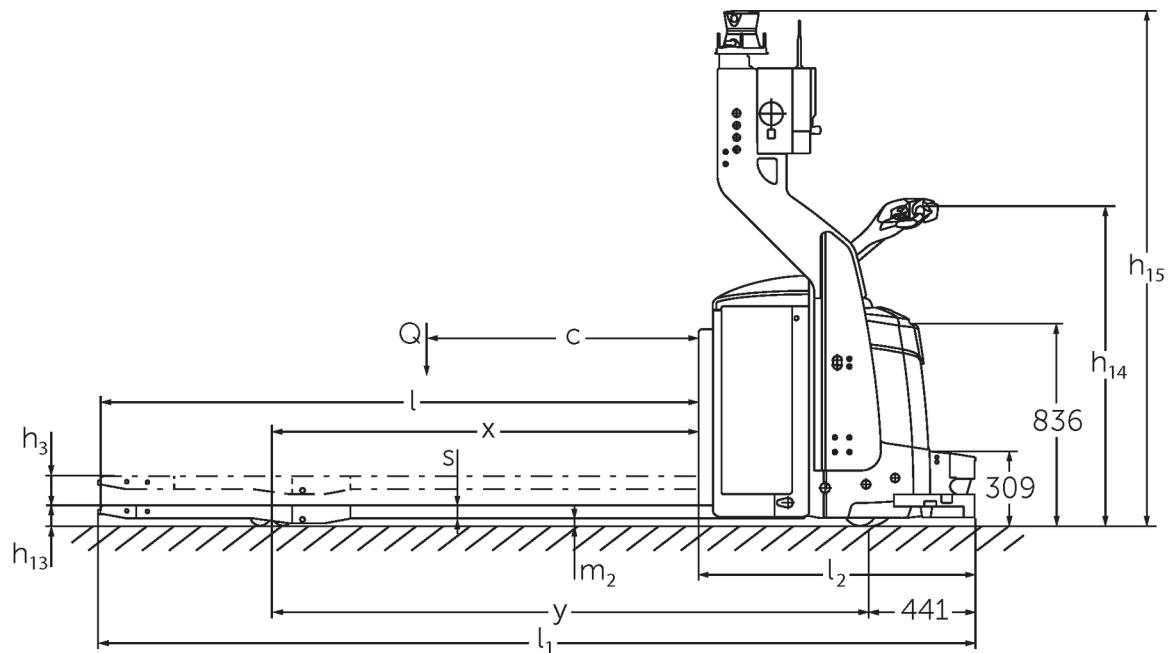
Lift height: 122 mm / Capacity: 2500 kg

ERE 225a



ERE 225a

ERE 225a



ERE 225a with option long forks

VDI table

Stand-on: 01/2020

Characteristic	1.1	Manufacturer (abbreviated description)		Jungheinrich
	1.2	Manufacturer's type designation		ERE 225a
	1.3	Drive		Electric
	1.4	Operation		Pedestrian/tiller/automatic high-rack stacker
	1.5	Capacity/load	Q kg	2.500
	1.6	Load centre distance	c mm	600
	1.8	Load distance, centre of drive axle to fork	x mm	955
	1.9	Wheelbase	y mm	1.604
	Weights	2.1	Service weight	kg
2.2		Axle load laden front/rear	kg	2.217 / 1.404
2.3		Axle load unladen front/rear	kg	257 / 864
Wheels/suspension system	3.1	Tyres		VU / PU & Qu / VU
	3.2	Tyre size, front		Ø 230 x 77
	3.3	Tyre size, rear		Ø 85 x 85
	3.4	Additional wheels		Ø 140 x 57
	3.5	Wheels, number front/back (x=driven)		1x +2 / 2
	3.7	Tread width, rear	b ₁₁ mm	368
Basic dimensions	4.2.1	Overall height	h ₁₅ mm	2.127
	4.4	Lift (h ₃)	h ₃ mm	122
	4.15	Height, lowered	h ₁₃ mm	85
	4.19	Overall length	l ₁ mm	2.403
	4.20	Length including fork shank	l ₂ mm	1.144
	4.21	Overall width	b ₁ /b ₂ mm	893
	4.22	Fork dimensions	s/e/l mm	55 / 172 / 1.250
	4.25	Width across forks (dimension 1), WaF	b ₅ mm	540
Performance data	5.1	Travel speed laden/unladen	km/h	6.1 / 6.1
	5.2	Lift speed laden/unladen	m/s	0.05 / 0.06
	5.3	Lowering speed laden/unladen	m/s	0.06 / 0.04
	5.10	Service brake		generative
E-motor/ Electronics	6.1	Drive motor, performance S2 60 min	kW	2.8
	6.2	Lift motor, performance with S3	kW	2.2
	6.3	Battery according to DIN 43531/35/36		B
	6.4	Battery voltage / nominal capacity	V / Ah	24 / 465
	6.5	Battery weight	kg	389
Miscellaneous	8.1	Type of drive control		Impulse
	10.7	Sound level as per EN12053, operator's ear	dB (A)	66

- In accordance with VDI Guideline 2198 this data sheet provides details of the standard truck only. Non-standard tyres, different masts, optional equipment, etc. may result in different values.

The German production facilities in
Norderstedt, Moosburg and Landsberg
are certified.

ISO 9001
ISO 14001

Jungheinrich fork lift trucks meet
European safety requirements.



 **JUNGHEINRICH**

The Jungheinrich logo, featuring a red upward-pointing arrow integrated into the letter 'J', followed by the brand name 'JUNGHEINRICH' in a bold, black, sans-serif font.