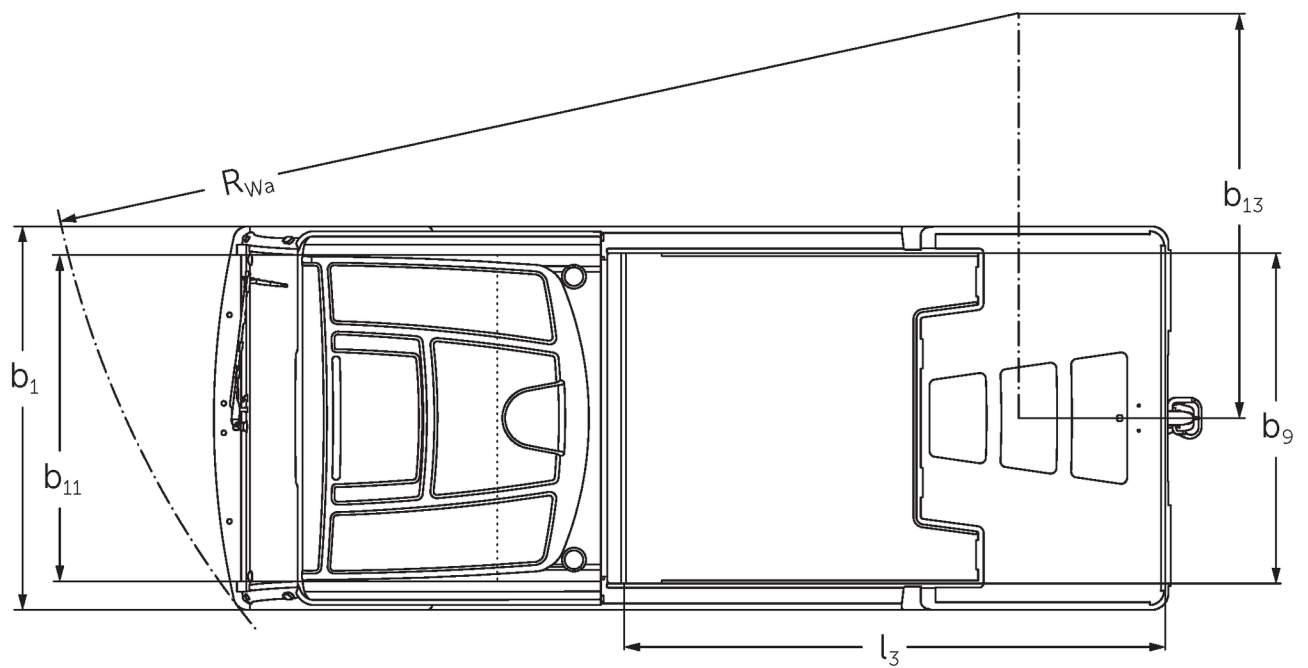
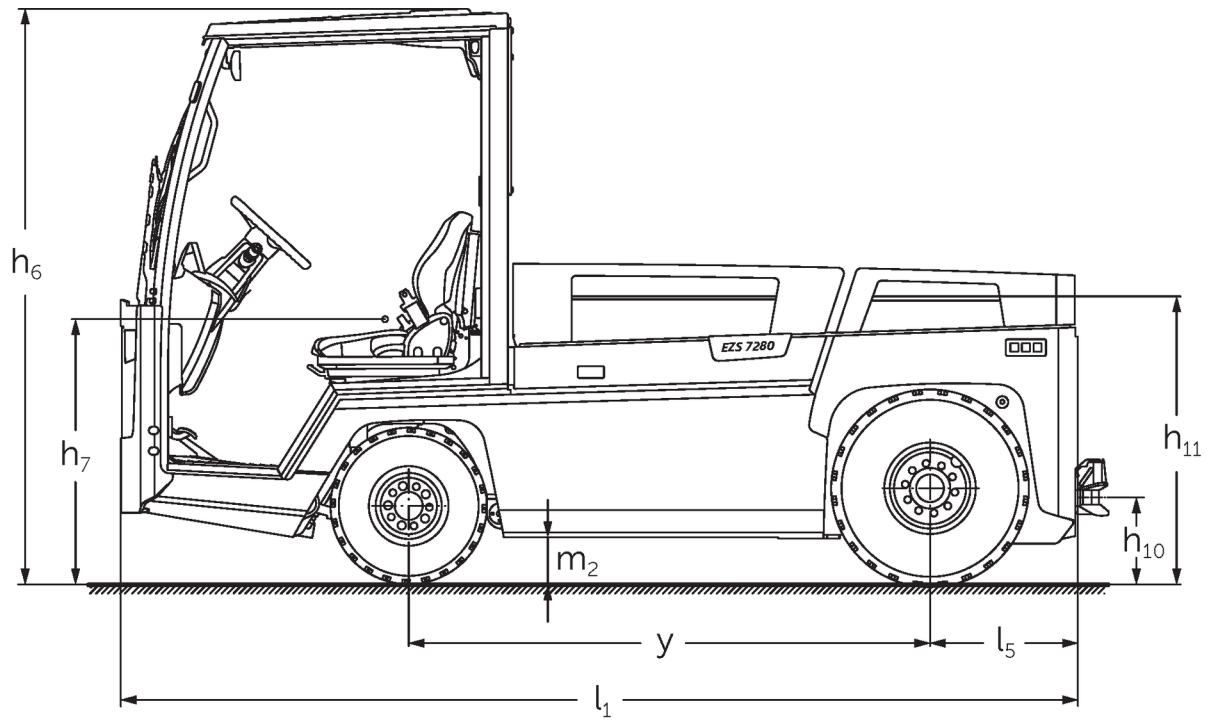




Electric tow tractor **EZS 7280**

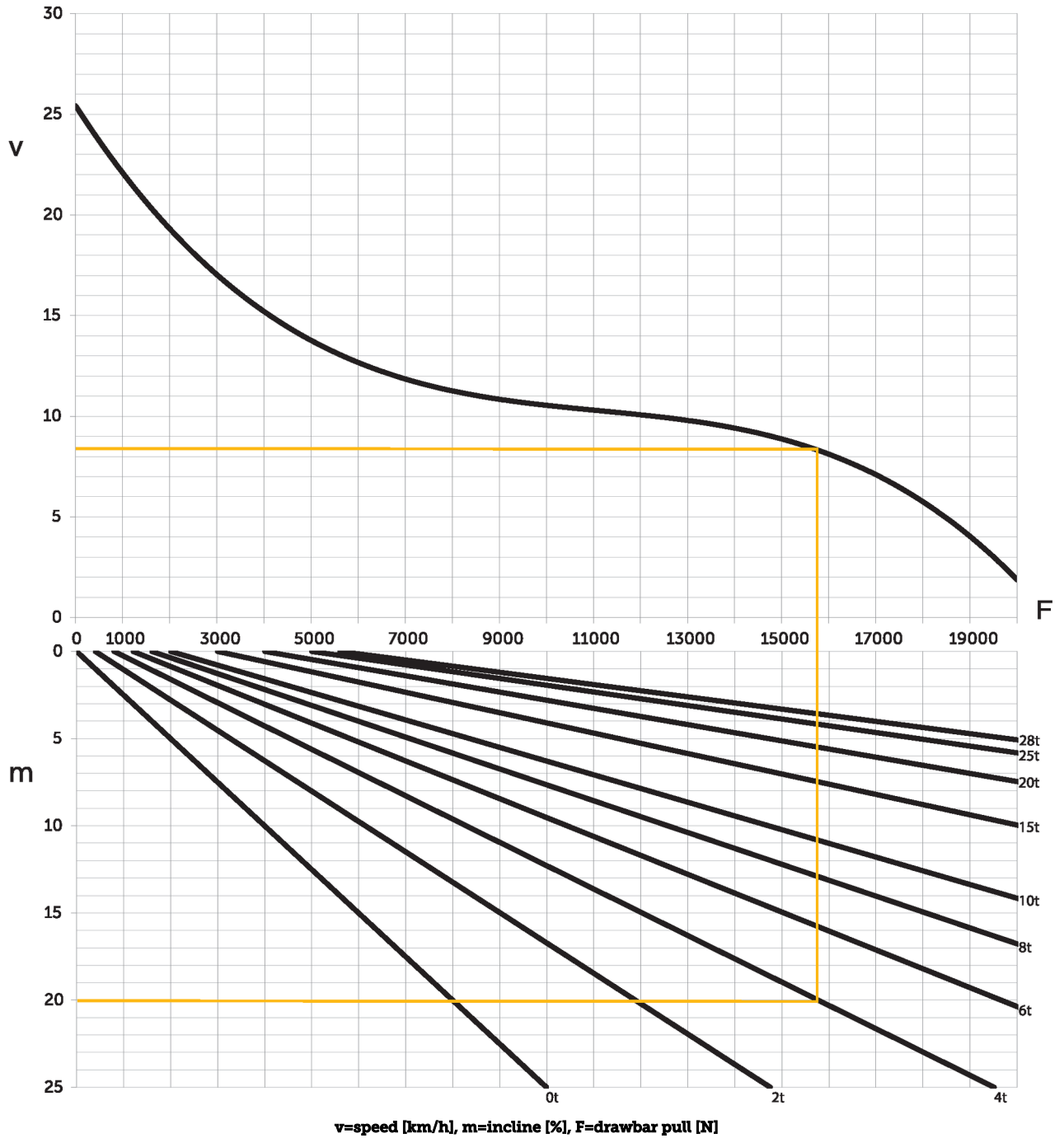
Capacity: 28000 kg

EZS 7280



EZS 7280

Pulling ability



VDI table

Stand-on: 01/2020

Characteristic	Item	Description	Unit	Jungheinrich		
				EZS 7280	EZS 7280 XL	
Characteristic	1.1	Manufacturer (abbreviated description)		Jungheinrich		
	1.2	Manufacturer's type designation		EZS 7280	EZS 7280 XL	
	1.3	Drive		Electric		
	1.4	Operation		Seat		
	1.5	Capacity/load	Q	kg	28.000	
	1.7	Rated drawbar pull		N	5.600	
Weights	1.9	Wheelbase	y	mm	1.465	1.755
	2.1.1	Service weight (incl. battery)		kg	4.088	4.796
Weights	2.3	Axle load unladen front/rear		kg	2.100 / 1.988	2.446 / 2.350
	3.1	Tyres			SE / pneumatic	
Wheels/suspension system	3.2	Tyre size, front			6.00 R9	
	3.3	Tyre size, rear			7.00 R12	
	3.5	Wheels, number front/back (x=driven)			2 / 2 x	
	3.6	Tread width, front	b ₁₀	mm	1.070	
	3.7	Tread width, rear	b ₁₁	mm	1.070	
	Basic dimensions	4.7	Height of overhead guard (cab)	h ₆	mm	1.970
4.8		Seat height/stand height	h ₇	mm	880	
4.12		Coupling height	h ₁₀	mm	295	
4.13		Loading height, unladen		mm	1.000	
4.16		Loading area length		mm	1.500	1.880
4.18		Loading area width		mm	1.090	
4.19		Overall length	l ₁	mm	3.000	3.300
4.21		Overall width	b ₁ /b ₂	mm	1.300	
4.32		Ground clearance centre of wheelbase	m ₂	mm	150	
4.35		Turning radius	W _a	mm	2.825	3.275
4.36		Smallest pivot point distance	b ₁₃	mm	935	1.095
Performance data	5.1	Travel speed laden/unladen		km/h	12 / 25	
	5.5	Drawbar pull laden/unladen		N	5.600 /	
	5.6	Max. drawbar pull laden/unladen		N	19.000 /	
	5.10	Service brake			hydraulic/electric	
E-motor/ Electronics	6.1	Drive motor, performance S2 60 min		kW	20	
	6.4	Battery voltage / nominal capacity		V / Ah	80 / 620	80 / 930
	6.5	Battery weight		kg	1.560	2.180
Miscellaneous	8.1	Type of drive control			AC	
	10.7	Sound level as per EN12053, operator's ear		dB (A)	60	

- In accordance with VDI Guideline 2198 this data sheet provides details of the standard truck only. Non-standard tyres, different masts, optional equipment, etc. may result in different values.

- 5.1: 13 km/h with 25 t trailer load. - 10.7: With deactivated ventilation/heating.

The German production facilities in
Norderstedt, Moosburg and Landsberg
are certified.

ISO 9001
ISO 14001

Jungheinrich fork lift trucks meet
European safety requirements.



 **JUNGHEINRICH**

The logo features a red upward-pointing arrow integrated into the letter 'J' of the word 'JUNGHEINRICH', which is written in a bold, black, sans-serif font.